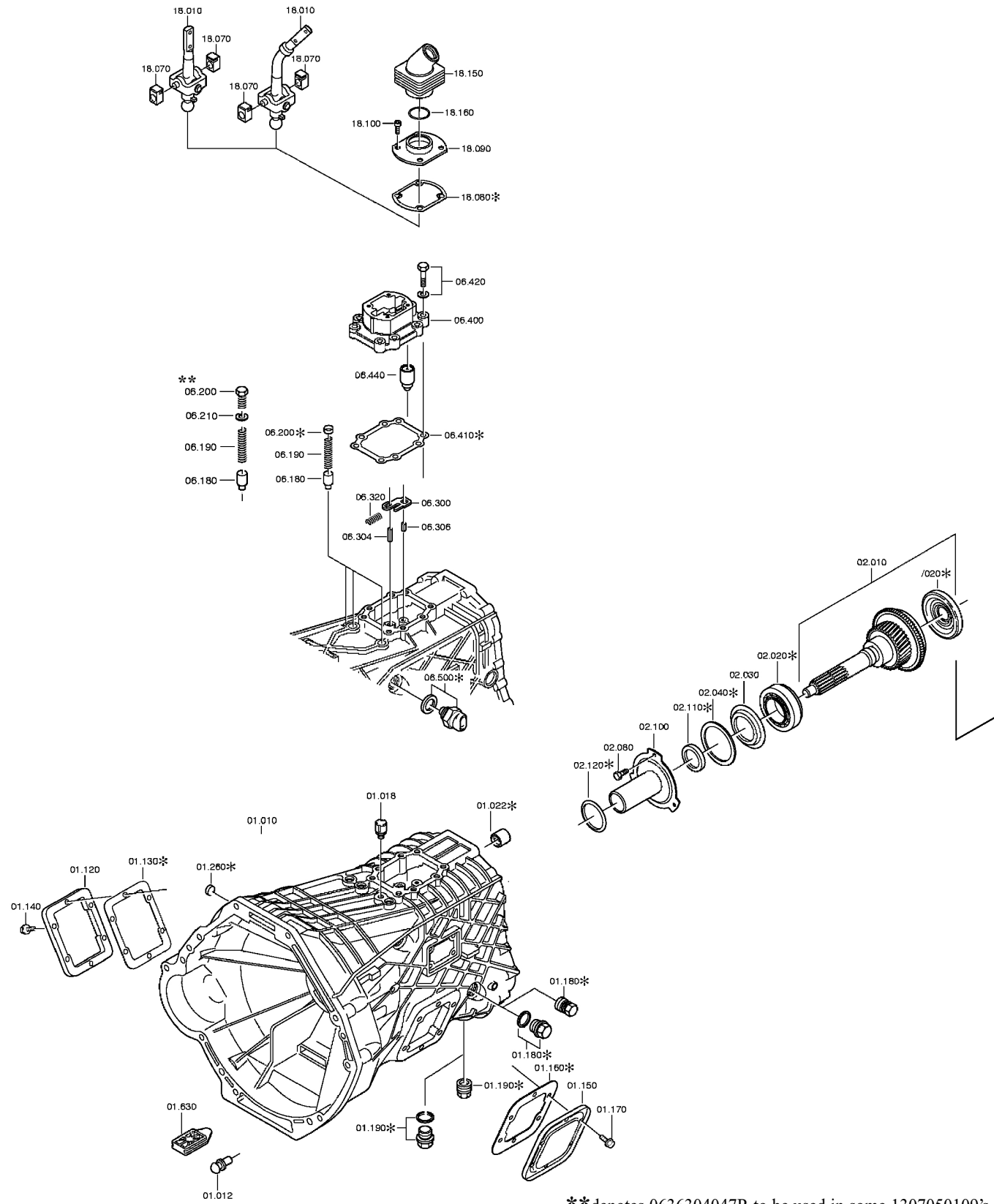


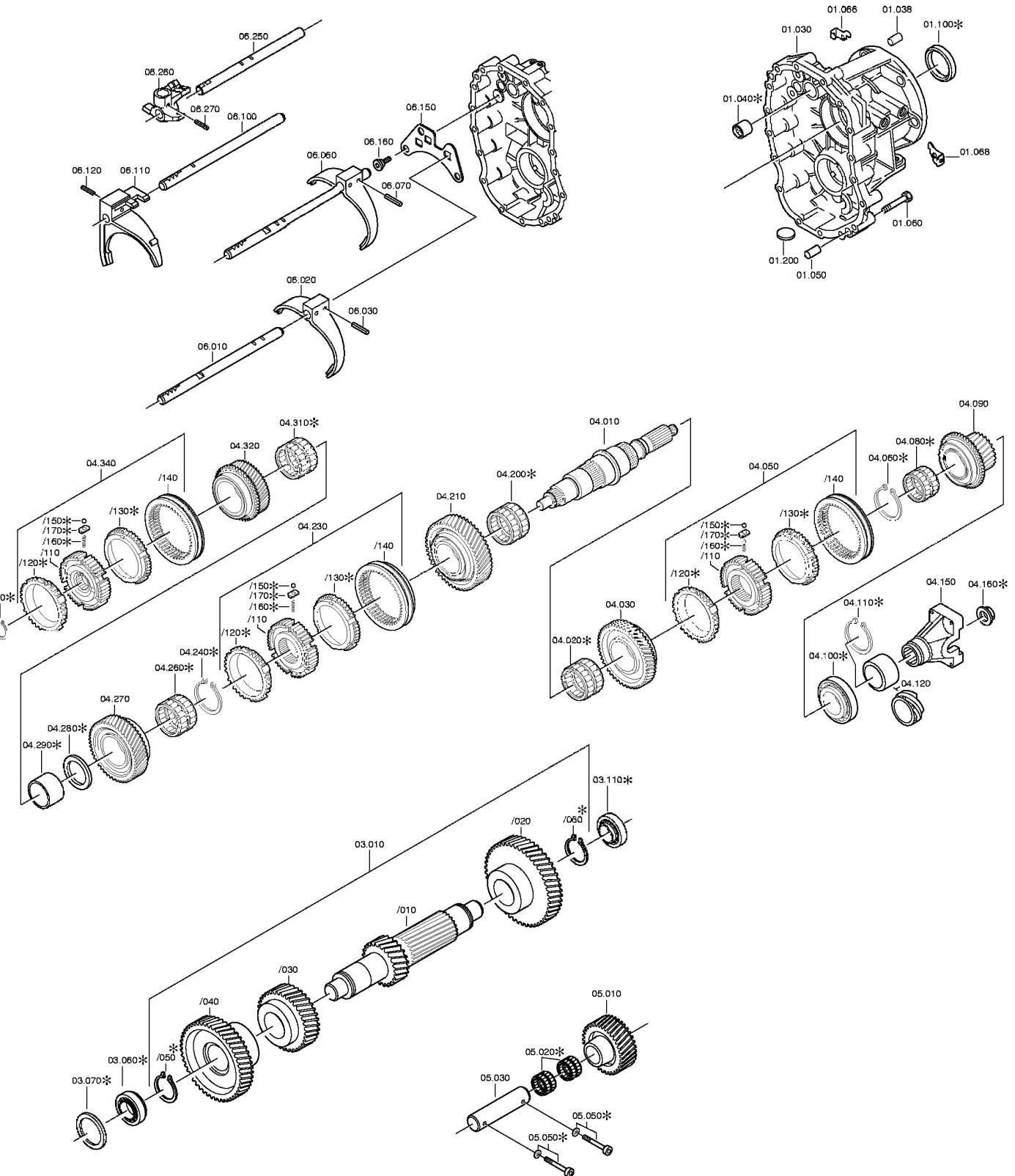
# Remanufactured Transmissions, Spare Parts, and Kits Catalog

## Exploded View S5-42/S5-47



\*\*denotes 0636304047R to be used in some 1307050109's.

# Remanufactured Transmissions, Spare Parts, and Kits Catalog



\*ONLY AVAILABLE IN KITS

S5-42 UNITS & SPARE PARTS  
 EXPLODED VIEW S5-42/S5-47  
 S5-47 UNITS & SPARE PARTS  
 S5-47M UNITS & SPARE PARTS  
 EXPLODED VIEW S5-47M  
 S6-650 UNITS & SPARE PARTS  
 EXPLODED VIEW S6-650  
 APPLICATION PROGRESSION CHART  
 CROSS REFERENCE CHARTS