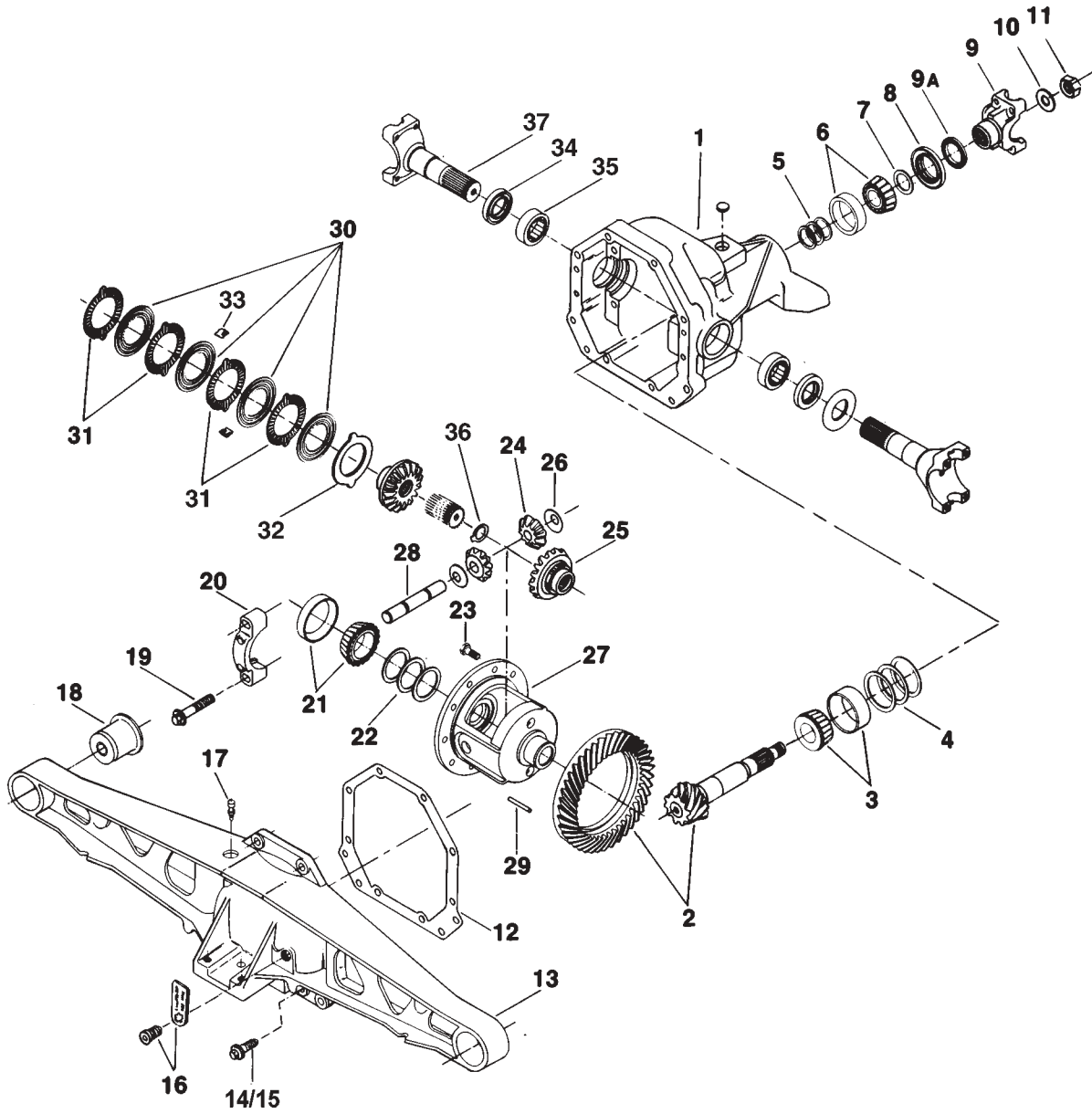


GM /Chevrolet 1984-1996 1/2

Model 36 /200 ICA Rear Axles for

Corvette

GM Model 36 /200 ICA Rear Axles Exploded View



GM Model 36 /200 ICA Rear Axles Parts Listing

ITEM NO.	PART NUMBER	DESCRIPTION	ITEM NO.	PART NUMBER	DESCRIPTION
1	— ⁽³⁾	Housing – Axle Service	21	706016X	KIT – Differential Bearing
2	— ⁽¹⁾	Drive Pinion & Gear Assembly	22	706878X	PKG – Diff Bearing Shim (inc 12, 36)
3	706015X	KIT – Inner Pinion Bearing	23	41221	Bolt – Drive Gear (qty 10)
4	74438X	PKG – Inner Pinion Bearing Shim	24	— ⁽²⁾	Pinion – Differential
5	73173X	PKG – Outer Pinion Bearing Shim	25	— ⁽²⁾	Gear – Differential
6	706014X	KIT – Outer Pinion Bearing	26	40266	Thrustwasher – Diff Pinion
7	41012	Slinger – Outer Pinion Bearing	27	— ⁽³⁾	Case – Differential
8	41455	Seal – Pinion Oil	28	— ⁽²⁾	Shaft – Differential
9	2-4-6641-1	End Yoke	29	13449	Lock – Differential Shaft
9A	42502	Slinger – End Yoke		707386X	KIT – Differential Plate & Disc
10	30186	Washer – Pinion Nut			(inc items 12, 29, 30, 31, 32, 33, 36)
11	30185	Pinion Nut	30	— ⁽⁴⁾	Disc – Differential
12	38615	RTV Silicone Sealant	31	— ⁽⁴⁾	Plate – Differential
13	— ⁽³⁾	Arm – Carrier Cover Support	32	— ⁽⁴⁾	Spacer – Dished
14	40286-1	Screw – Carrier Cover	33	40835	Clip – Differential Clutch Retainer
15	40286-2	Screw – Carrier Cover		706880X	KIT – Unit Bearing & Seal
16	39527	Fill Plug			(inc items 12, 34, 35, 36)
17	40750	Breather Vent	34	40108	Oil Seal
18	— ⁽³⁾	Bushing – Carrier Cover Arm	35	565987	Bearing – Inner Yoke Shaft
19	40284-2	Bolt – Differential Bearing Cap	36	— ⁽⁴⁾	Snap Ring
20	— ⁽³⁾	Differential Bearing Cap	37	— ⁽¹⁾	Shaft – Inner Yoke

(1) See "Bill of Material Table" on next page

(2) See "Variable Parts Table" below

(3) Contact Vehicle Manufacturer

(4) Not Sold Separately

Variable Parts Listing

Kits & Parts - Use With All Applications					
Description & Item Number (Refer to "Exploded View" on the previous page)			Bills of Material		
			605172 605180 605239	605260 605321 605490	
1	Pinion – Differential	24	40265	41599	
2	Gear – Differential	25	40276	44038	
3	Shaft – Differential	28	41028	41519	

GM Model 36 /200 ICA Rear Axles

Bill of Material Table

Axle			Axle Kits				Shaft & Joint Assy.	
Bill of Material	Diff. Type	Ratio	Ring Gear & Pinion Kit ⁽⁷⁾	Differential			Right Hand Shaft Assy.	Left Hand Shaft Assy.
				Case Assy. Kit ⁽⁸⁾	Case Kit	Inner Parts Kit		
1984 Corvette								
605172-1	Trac Lok	3.07	72505-5X	706872X	706874X	706875X	3-82-1001-2	3-82-1001-1
605172-2	Trac Lok	3.31	72504-5X	706872X	706874X	706875X	3-82-1001-2	3-82-1001-1
605180-1	Trac Lok	3.07	72505-5X	706872X	706874X	706875X	3-82-1001-2	3-82-1001-1
605180-2	Trac Lok	3.31	72504-5X	706872X	706874X	706875X	3-82-1001-2	3-82-1001-1
605180-3	Trac Lok	3.07	72505-5X	706872X	706874X	706875X	3-82-1001-2	3-82-1001-1
605180-4	Trac Lok	3.07	72505-5X	706872X	706874X	706875X	3-82-1001-2	3-82-1001-1
605180-5	Trac Lok	3.31	72504-5X	706872X	706874X	706875X	3-82-1001-2	3-82-1001-1
605180-6	Trac Lok	3.07	72505-5X	706872X	706874X	706875X	3-82-1001-2	3-82-1001-1
605180-7	Trac Lok	2.73	72587-5X	706871X	706873X	706875X	3-82-1001-2	3-82-1001-1
1984-86 Corvette								
605239-1	Trac Lok	2.73	72587-5X	706871X	706873X	706875X	3-82-1001-2	3-82-1001-1
605239-2	Trac Lok	3.07	72505-5X	706872X	706874X	706875X	3-82-1001-2	3-82-1001-1
605239-3	Trac Lok	3.31	72504-5X	706872X	706874X	706875X	3-82-1001-2	3-82-1001-1
605239-4	Trac Lok	3.07	72505-5X	706872X	706874X	706875X	3-82-1001-2	3-82-1001-1
1985-87 Corvette								
605260-1	Trac Lok	2.73	72587-5X	74224X ⁽⁹⁾	707015X	707226X	41533-1	41533-2
605260-2	Trac Lok	3.07	72505-5X	74230X ⁽⁹⁾	707016X	707226X	41533-1	41533-2
605260-3	Trac Lok	3.31	72504-5X	74230X ⁽⁹⁾	707016X	707226X	41533-1	41533-2
605260-4	Trac Lok	3.07	72505-5X	74230X ⁽⁹⁾	707016X	707226X	41533-1	41533-2
605260-5	Trac Lok	2.53	72839-5X	74224X ⁽⁹⁾	707015X	707226X	41533-1	41533-2
605260-6	Trac Lok	2.59	72668-5X	74224X ⁽⁹⁾	707015X	707226X	41533-1	41533-2
1988-90 Corvette								
605321-1	Trac Lok	2.73	72587-5X	74224X ⁽⁹⁾	707015X	707226X	41533-1	41533-2
605321-4	Trac Lok	3.07	72505-5X	74230X ⁽⁹⁾	707016X	707226X	41533-1	41533-2
605321-6	Trac Lok	2.59	72668-5X	74224X ⁽⁹⁾	707015X	707226X	41533-1	41533-2
1990 1/2-96 1/2 Corvette								
605490-1	Trac Lok	2.73	72587-5X	74224X ⁽⁹⁾	707015X	707226X	41533-1	41533-2
605490-2	Trac Lok	3.07	72505-5X	74230X ⁽⁹⁾	707016X	707226X	41533-1	41533-2
605490-4	Trac Lok	2.59	72668-5X	74224X ⁽⁹⁾	707015X	707226X	41533-1	41533-2

(7) See Ring Gear & Pinion Kits in XGI Catalog for ratio & tooth combinations.

(8) See Differential Case Assy Kits in XGI Catalog for spline data & ratios.

(9) This is a case assembly and does not include shims, bearings or drive gear screws.